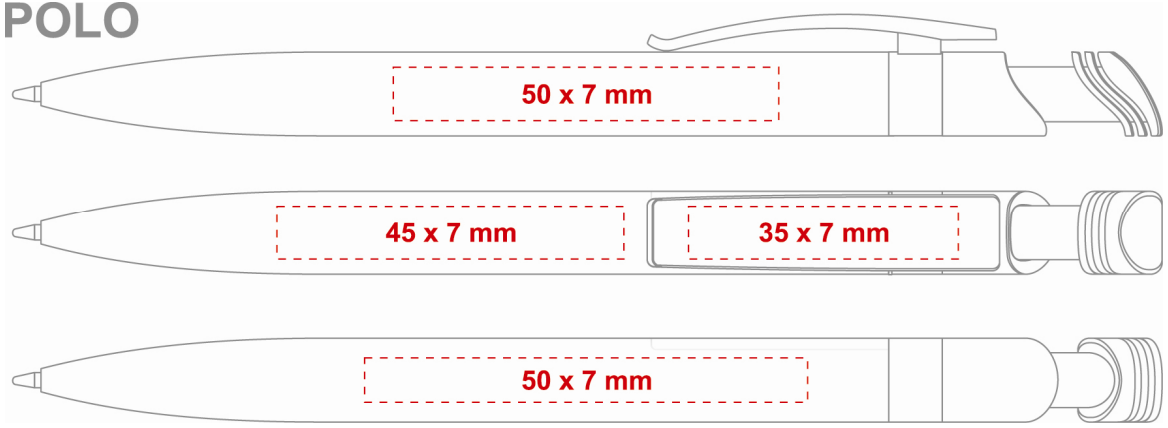


Template / Measure

Model: **POLO**



**POLO**



Available area for placing the printing.  
Max. printing area is 50 x 7 mm.



Printing area